

CHESNEY'S

User and Installation Manual for
Wood Burning and Multi Fuel Stoves



For use in the UK and ROI
NT27 (October 2013)

www.chesneys.co.uk

Congratulations on your purchase of a Chesney's stove.

Please note that it is a legal requirement under England and Wales Building Regulations that the installation of the stove is either carried out under Local Authority Building Control approval or is installed by a Competent Person registered with a Government Approved Competent Persons Scheme. HETAS Ltd operate such a scheme. Further information can be found at www.hetas.co.uk

This appliance will become hot whilst in operation. It is recommended that a suitable guard be used for the protection of young children, the elderly or infirm.

The Chesney's range of stoves are all CE $\text{C}\epsilon$ approved.

This stove must not be adapted or modified in any way.

All Chesney's stoves have been approved by HETAS as intermittent operating appliances

The 4,5,6,8 series stoves are DEFRA exempt appliances that **can** be used in **Smoke Control Zones** only when the **Smoke Tab** is removed and installed in accordance with the current Building Regulations. The complete list is available at www.hetas.co.uk/manufacture/defra-exemption



Activation of the warranty is completed by returning the warranty form to Chesney's or filling out the online registration at www.chesneys.co.uk/warranty/registration.asp

Contents

Section		Page
1	Technical Specifications and Dimensions	4
2	Distance to Combustibles	14
3	Pre Installation	15
4	Installation	18
5	Converting Top to Rear Exit	19
6	Smoke Control	21
7	Apollo 4 & 8 Installation	23
8	Door Seal Replacement & Door Handles	25
9	Commissioning	26
10	The Curing Process	29
11	Stove Paint Application Instructions	30
12	First Lighting & Operation	31
13	Maintenance	41
Appendix		
	Dealer & Installer Details	44
	Annual Service Record	45
	Warranty Registration	46

1. Technical Specifications and Dimensions

Wood Burning 4 Series

Parameter	Beaumont Belgravia Shoreditch Salisbury	Apollo	Alpine	Milan
Nominal heat output <i>kW</i> <i>BTU/hr</i>	4.6 15695.85	4.5 15354.63	4.6 15695.85	4.6 15695.85
Mean CO emission (at 13 % o ₂)	0.76	0.68	0.76	0.37
Mean flue Gas temperature oC	167	200	262	262
Flue gas mass flow <i>g/s</i>	3.2	3.5	3.6	3.6
Total efficiency <i>Nett %</i> <i>Gross %</i>	84.0 76.44	82 74.62	80 72.8	80 72.8
Refuelling <i>mins</i>	45	60	45	60
Test fuel wood <i>kg</i>	1	1	1	1.38
Fuel size: 2 x logs mm at 13-14 % moisture	300 x 130 dia	300 x 130 dia	300 x 130 dia	300 x 130 dia
Maximum hearth temp oC	38.1	N/A	33	55

Dimensions / Weight

Refer to Figure one on page 8

	A <i>mm</i>	B <i>mm</i>	C <i>mm</i>	D <i>mm</i>	E <i>mm</i>	Weight <i>kg</i>
Beaumont	533	400	108	408	335	73
Belgravia	533	400	108	408	335	73
Shoreditch	565	400	108	408	278	78
Shoreditch LS	687	400	108	552	278	88
Shoreditch XLS	787	400	108	652	278	104
Salisbury	534	402	108	408	335	72
Alpine	586	410	110	442	308	74
Milan	750	448	155	580	340	78
Apollo	Fire Cube size 409 w x 550 h x 320 d					69

The chimney and connecting fluepipe must have a minimum diameter of 130 mm and its dimension should not narrow to less than the size of the outlet socket of the stove at any point.

Minimum Flue Draught 12 Pascal

Wood Burning 5 Series

Parameter	Salisbury	Beaumont	Shoreditch
Nominal heat output <i>kW</i> <i>BTU/hr</i>	4.9 16719.49	4.9 16719.49	4.9 16719.49
Mean CO emission (at 13 % o ₂)	0.23	0.23	0.23
Mean flue Gas temperature oC	211	211	211
Flue gas mass flow <i>g/s</i>	3.6	3.6	3.6
Total efficiency <i>Nett %</i> <i>Gross %</i>	84.5 76.89	84.5 76.89	84.5 76.89
Refuelling <i>mins</i>	50	50	50
Test fuel wood <i>kg</i>	1	1	1
Fuel size: 2 x logs mm at 13-14 % moisture	300 x 150 <i>dia</i>	300 x 150 <i>dia</i>	300 x 150 <i>dia</i>
Maximum hearth temp oC	50	50	50

Dimensions / Weight

Refer to Figure one on Page 8

	A <i>mm</i>	B <i>mm</i>	C <i>mm</i>	D <i>mm</i>	E <i>mm</i>	Weight <i>kg</i>
Salisbury	534	482	108	408	335	79
Shoreditch	543	478	108	408	294	84

The chimney and connecting fluepipe must have a minimum diameter of 130 mm and its dimension should not narrow to less than the size of the outlet socket of the stove at any point.

Minimum Flue Draught 12 Pascal

Multi-Fuel 6 Series

Parameters		Beaumont Belgravia Shoreditch Salisbury Shipton	Alpine	Milan
Wood / Ancit				
Nominal heat output	<i>kW</i>	7.0 / 6.0	6.2 / 6.0	6.2 / 6.7
Mean CO emission	(at 13 % o ₂)	0.34 / 0.37	0.34 / 0.37	0.3 / 0.23
Mean flue Gas temperature	oC	265 / 199	324 / 294	324 / 294
Flue gas mass flow	<i>g/s</i>	3.7 / 4.1	5.4 / 4.1	5.4 / 3.7
Total efficiency	Nett %	85.1 / 80.4	85.1 / 80	85.1 / 80.4
	Gross %	77.4/78.8	77.4/78.4	77.4/78.8
Refuelling	<i>mins</i>	45 / 150	45 / 150	60 / 60
Test fuel wood / ancit	<i>Kg</i>	1.5 / 2.1	1.5 / 2.1	2.09 / 2.1
Fuel 2 x logs mm 13-14 % moisture Ancit per 2.1kg 2.3 % moisture		300 x 150 <i>dia</i>	300 x 150 <i>dia</i>	300 x 150 <i>dia</i>
Maximum hearth temp	oC	56.1	56	55 <small>to log store</small>

Dimensions / Weight

Refer to Figure one on Page 8

	A <i>mm</i>	B <i>mm</i>	C <i>mm</i>	D <i>mm</i>	E <i>mm</i>	Weight <i>kg</i>
Beaumont	704	522	155	541	395	128
Belgravia	704	522	155	541	395	120
Shoreditch	685	448	155	531	393	120
Shoreditch LS	803	448	155	648	393	132
Shoreditch XLS	903	448	155	748	393	139
Salisbury	653	450	155	505	440	123
Shipton	634	488	155	480	395	131
Alpine	686	460	140	523	386	125
Milan	920	525	195	740	472	127

Milan and Shoreditch LS and XLS can be installed with skirting boards 50mm from rear of the stove to a maximum height of 200mm

The chimney and connecting fluepipe must have a minimum diameter of 150 mm and its dimension should not narrow to less than the size of the outlet socket of the stove at any point.

Minimum Flue Draught 12 Pascal

Multi-Fuel 8 Series

Parameters Wood / Ancit		Beaumont Belgravia Shipton Shoreditch Salisbury	Apollo
Nominal heat output	<i>kW</i>	8.3 / 8.5	10.2 / 8.1
Mean CO emission	(at 13 % o ₂)	0.23 / 0.19	0.70 / 0.18
Mean flue Gas temperature	oC	360 / 331	328 / 319
Flue gas mass flow	<i>g/s</i>	6.0 / 6.0	5.3 / 4.2
Total efficiency	Nett	76.7/75.1	78.7 /79.9
	Gross	69.8/73.6	71.6/78.3
Refuelling	<i>mins</i>	60 / 120	45 / 60
Test fuel wood /ancit	<i>kg</i>	2.5 / 2.5	2.5 / 2.5
Fuel 3 x logs mm 13-14 % moisture Ancit per 2.5kg 2.3 % moisture		360 x 150 dia	360 x 150 <i>dia</i>
Maximum hearth temp	oC	70.3	n/a

Dimensions / Weight

Refer to Figure one on Page 8

	A <i>mm</i>	B <i>mm</i>	C <i>mm</i>	D <i>mm</i>	E <i>mm</i>	Weight <i>kg</i>
Beaumont	704	642	155	538	395	148
Belgravia	704	626	155	538	389	148
Shipton	634	608	155	480	379	151
Salisbury	653	570	155	505	428	143
Shoreditch	685	568	155	531	378	155
Shoreditch LS	803	568	155	650	378	172
Shoreditch XLS	903	568	155	750	378	180
Apollo	Fire cube size 600 w x 616 h x 384 d					124

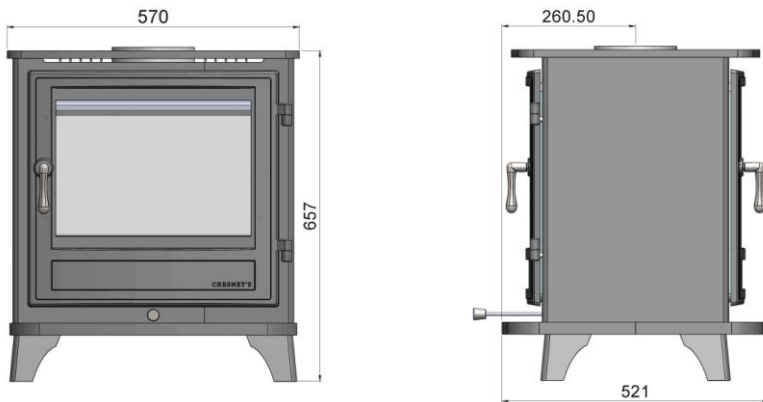
The chimney and connecting fluepipe must have a minimum diameter of 150mm and its dimension should not narrow to less than the size of the outlet socket of the stove at any point.

Minimum Flue Draught 12 Pascal

Double 10 Wood Burning Stove

Parameters		Salisbury
Wood		
Nominal heat output	<i>KW BTU/hr</i>	10 / 34121.42
Mean CO emission	(at 13 % O ₂)	0.22
Mean flue Gas temperature	oC	327
Flue gas mass flow	g/s	7.9
Total efficiency	<i>% Nett Gross</i>	76.4 / 69.5
Refuelling	<i>mins</i>	50
Test fuel wood	<i>kg</i>	2.9
Fuel 3 logs mm less 15.1 % moisture		250 x 150
Maximum hearth temp	oC	73

Dimensions / Weight 150 kg



The chimney and connecting fluepipe must have a minimum diameter of 150 mm and its dimension should not narrow to less than the size of the outlet socket of the stove at any point.

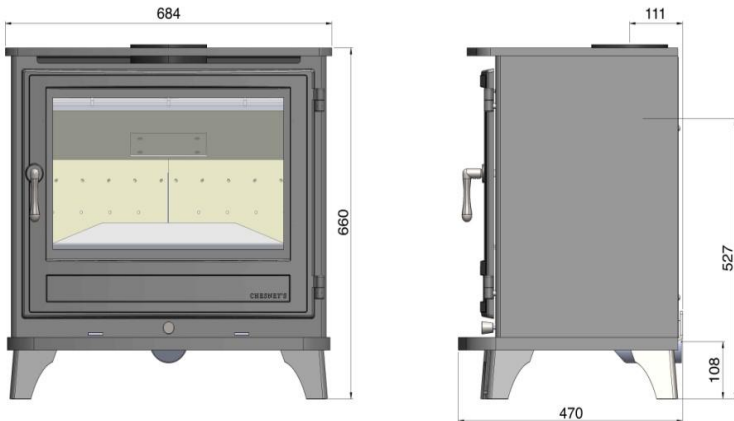
Minimum Flue Draught 12 Pascal

Distance to combustibles
Side 350mm

Wood Burning 12 Series

Parameters Wood		Salisbury
Nominal heat output	<i>kW BTU/hr</i>	10.8 / 36851.1336
Mean CO emission	(at 13 % O ₂)	0.15
Mean flue Gas temperature	oC	321
Flue gas mass flow	<i>g/s</i>	10.0
Total efficiency	% <i>Nett / Gross</i>	74.5/67.8
Refuelling	<i>mins</i>	45
Test fuel wood	<i>kg</i>	2.4
Fuel 3 logs mm less 15.1 % moisture		250 x 150
Maximum hearth temp	oC	35

Dimensions / Weight 171 kg



The stove lid can simply be removed reducing the weight by 32 kg

The chimney and connecting fluepipe must have a minimum diameter of 150 mm and its dimension should not narrow to less than the size of the outlet socket of the stove at any point.

Minimum Flue Draught 12 Pascal

Distance to combustible
 Sides 350mm
 Rear 500mm

Milan 4 Passive

The Milan Passive when connected to an outside dedicated air supply provides all the air for combustion. When the door is closed air is directed into the stove for combustion. During refuelling when the door is open the air is directed to the front face of the stove where it is drawn into the furnace reducing the spillage of CO and CO₂ into the room.

Tested in a “tight room” (leakage level) of 1.3m³ h⁻¹ m⁻².(0-57Pa)
With a flue draft of -6 and -12 Pa the spillage was insignificant (up to 2 ppm CO and up to 100 ppm CO₂)

With a flue draft of -12 Pa the spillage was insignificant (up to 1 ppm CO and up to 100 ppm CO₂) when the door is left open for 3 minutes.

This appliance is not air tight.

Air Supply Details:

The air supply is fed into the base of the stove via an 80 mm internal diameter 82 mm external diameter spigot. This provides all the air for combustion, both primary and secondary. See *Milan 4 Passive Figure 1*

Maximum length air inlet: 4.1 meters.

Maximum bends: 4 x 90 degree and 2 x 45 degree.

Minimum internal diameter 80 mm.

The pipe must be non combustible and smooth on the inside. IE: *Condenser CD 80 mm*.

Due to the variant in site requirement Chesneys do not supply any ducting or grills.

The external grill must provide at least 5026 mm² of free air and fixed open.

Due consideration must be given to the location of the air inlet.

1. Due to the pressure, positive or negative created around a building the air inlet may have to terminate on two different external walls. Where only one air inlet can be achieved this should be on the positive pressure side of the building to windward.

2. No blockages can occur by animals or plants.

Milan 4 Passive **Figure 1**

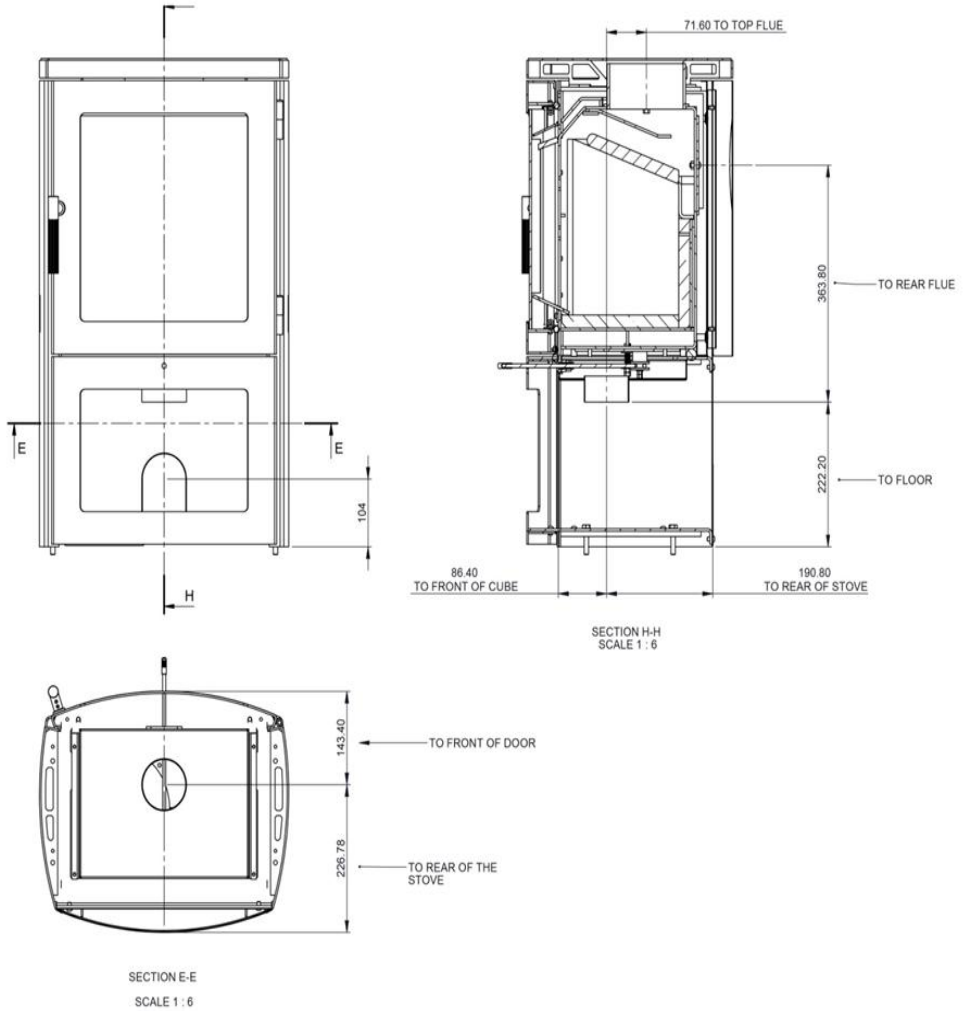
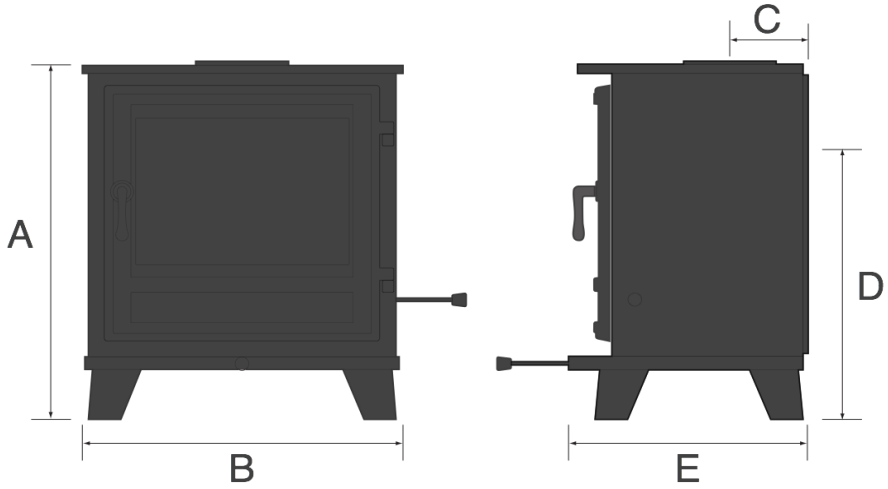
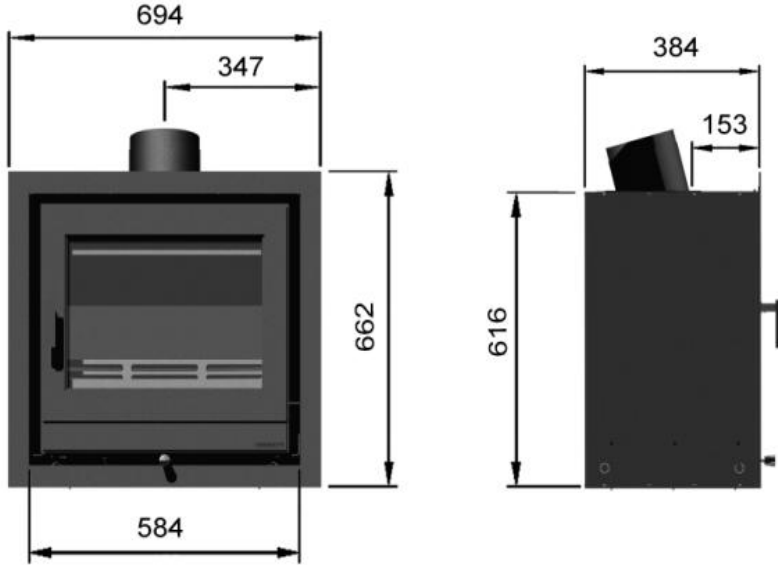


Figure 1

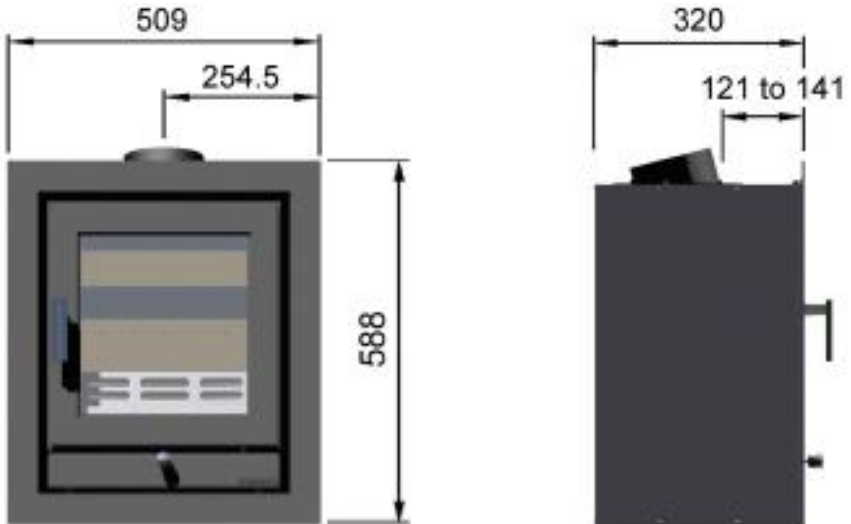


Fitters notes:

Apollo 8 Dimensions



Apollo 4 Dimension



2. Distance to Combustibles

4 Series

	Rear	Side
Beaumont	400	350
Belgravia	400	350
Shoreditch	400	350
Shoreditch LS	400	350
Shoreditch XLS	400	350
Salisbury	400	350
Alpine	150	100
Milan	45	125
Apollo 600mm Above	N/A	100

5 Series

	Rear	Side
Shoreditch	380	320
Salisbury	380	320

6 Series

	Rear	Side
Beaumont	500	650
Belgravia	500	650
Shoreditch	500	650
Shoreditch LS	500	650
Shoreditch XLS	500	650
Salisbury	500	650
Shipton	500	650
Alpine	450	350
Milan	45	200

8 Series

	Rear	Side
Beaumont	650	600
Belgravia	650	600
Shipton	650	600
Salisbury	650	600
Shoreditch	650	600
Shoreditch LS	650	600
Shoreditch XLS	650	600
Apollo 600 mm Above	Side 100mm up to 100mm from front face	

3. Pre Installation

This appliance must be fitted in accordance with the current Building Regulations and by an approved HETAS registered installer.

Health and Safety Precautions

Special care must be taken when installing the stove such that the requirements of the Health and Safety at Work Act are met.

Note: This appliance is heavy and must be handled with care.

Adequate facilities must be available for loading, unloading and site handling.

The appliance is supplied fully assembled for a top flue arrangement.

The lid, door and internal parts can all be removed to reduce the stove weight during installation

The paint is soft and vulnerable to marking; refer to the maintenance section. Chesney's stoves must be connected to a suitable chimney. Chesney's strongly recommend using a complete and compliant chimney lining system.

Inside the stove you will find an Installation and user manual and a pair of Chesney's Gauntlets. The multi-fuel stoves also have an ash pan and tool.

Asbestos

This stove contains no asbestos. If there is a possibility of disturbing any asbestos in the course of installation then please seek specialist guidance and use appropriate protective equipment.

Metal Parts

When installing or servicing this stove care should be taken to avoid the possibility of personal injury.

Ventilation

Please refer to Document J section 2 (table 1)

There must be an adequate air supply into the room in which the appliance is installed to allow the appliance to function properly.

The installation of extract ventilation or other appliance that requires air for combustion in the same area are not recommended and will effect this appliance. Refer to page 17 Flue Requirements

Chesney's recommend an appropriate spillage test be conducted with all appliances post installation.

Air inlet grilles must be so positioned that they are not liable to blockage.

There must be an adequate air supply into the room in which the appliance is installed and make sure apertures provided for this purpose are not restricted and are free from blockage

Carbon Monoxide

Building Regulations require that whenever a new or replacement fixed solid fuel or wood/biomass appliance is installed in a dwelling a carbon monoxide alarm must be fitted in the same room as the appliance. Further guidance is available in BS EN50292:2002 and from the alarm manufacturer's instructions. Provision of an alarm must not be considered a substitute for either installing the appliance correctly or ensuring regular servicing and maintenance of the appliance and chimney system.

It is now a requirement for an electronic carbon monoxide detector conforming to BS EN 50291 to be fitted in the room where the appliance has been installed. This should be maintained and tested in accordance with the manufactures instructions.

Hearths

All Chesneys freestanding wood and multi fuel stoves can be fitted on a 12mm hearth providing there is sufficient load-bearing capacity.

The inset Apollo's must be fitted on a full constructional hearth.

Chesneys recommend a minimum distance in front of the stove that allows the door to be opened fully and not overhanging the hearth. This is a Chesneys recommendations only please refer to Document J Section 2 dia 26 & 27.

Flue Requirements

The chimney must be swept before installation and checked for soundness and suitability. The chimney must also be free from cracks and blockages.

If you find the chimney is in a poor condition then expert advice should be sought

If the stove is fitted in place of an open fire then the chimney should be swept one month after installation to clear any soot falls which may have occurred due to the difference in combustion between the stove and the open fire.

The chimney and connecting fluepipe must not narrow to less than the size of the outlet socket of the stove at any point

This appliance must not be used in a shared flue system.

The minimum flue draft is 12 pascals at nominal output.

Minimum flue height 5 meters.

The 150mm diameter flue models may be increased to 170mm diameter.

The 130mm diameter flue should be increased to 150mm. A 130mm flue may be used when the stove is fitted in the smoke control mode, i.e. Smoke Tab removed.

It is recommended that there should not be at any time an extractor fan fitted in the same room as the appliance as this may cause the appliance to emit fumes into the room. If unavoidable the appliance must be checked with reference to ADJ 1.21, and necessary action taken.

If appliance is fitted in an area that has another flue (mechanical or otherwise) a flue interference test must be completed and recorded.

4. Installation

In addition to these instructions the requirements of BS 8303 and BS EN 15287 must be fulfilled. Local Authority Bylaws and Building Regulations regarding the installation of Solid Fuel burning appliances, flues and chimneys must also be taken into account.

The installation is a notifiable building works as defined in the building regulations and that it is a legal requirement under England and Wales Building Regulations that the installation is either carried out under Local Authority Building Control approval or is installed by a Competent Person registered with a Government approved Competent Persons Scheme. HETAS Ltd operate such a Scheme and a listing of their Registered Competent Persons can be found on their website at www.hetas.co.uk.

Therefore this appliance and installation must comply with the following regulations:-

British Standards BS 8303. BS EN 15287-1:2010

Building Regulation Approved Document J for England and Wales

Building Regulations Part F for Scotland

Building Regulations/1997 Technical Guidance Approved

Document J-Heat Producing Appliances for the Republic of Ireland

Registered Body: HETAS (GB only) INFO (Ireland)

This appliance must be fitted by an approved installer or inspected and signed off by a Building Control Officer. For a list of authorised installers www.hetas.co.uk/nearest_member and follow the links or phone 0845 634 5626 and ask the HETAS team.

5. Converting Top to Rear Exit

The Apollo stoves cannot be rear exit. All other stoves can be converted and are pre-assembled for a top exit. A blanking plate is available please contact your local stockists.

Fire Cement

Some types of fire cement are caustic and should not be allowed to come into contact with the skin. In case of contact wash immediately with plenty of water.

To Convert the 4,5,6,8 and Double Sided 10 to Rear Exit:

- 1) Remove lid.
- 2) Undo the two flue collar retaining bolts and lift collar off.
- 3) Remove the rear convector panel by undoing the four hexagonal bolts and knock out the pre cut panel.
- 4) Undo blanking plate retaining bolts and remove from rear of stove.
- 5) Place flue collar onto rear of stove ensuring seal is intact and seated correctly and secure with the two bolts.
- 6) Replace rear convector panel with the hexagonal bolts.
- 7) Place blanking plate from rear of stove into the top of the stove ensuring seal is intact and seated correctly securing with 2 bolts.
- 8) Replace lid with the decorative blank.

To convert the Alpine to Rear Exit:

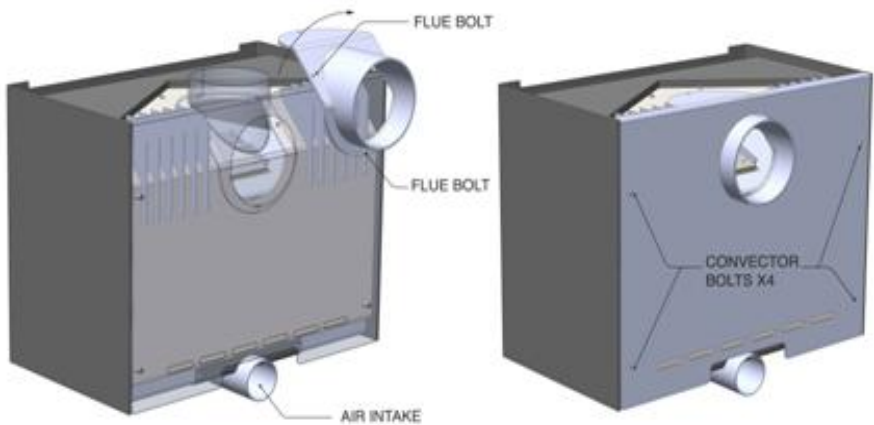
The fire cube will need to be removed from the Alpine cladding.

- 1) Remove door by opening and taking the weight whilst undoing the hexagonal bolts that hold the hinges in place, the door is cast iron and therefore heavy.
- 2) Look under the fire box and you will see 8 bolts. 4 are holding the fire box to the cladding and 4 are levelling bolts (these can be adjusted to line up the fire cube and door to the cladding). Undo the 4 x retaining bolts.
- 3) Remove both baffles and undo the flue collar retaining bolts. Push the flue collar up and twist, it will be held on by two lugs.
- 4) Remove the rear convector panel by undoing the four hexagonal bolts.
- 5) Lift the fire cube out of the cladding from the back.
- 6) Remove the flue collar from the cladding by twisting.
- 7) Remove the rear exit blanking plate and place in the top of the fire cube ensuring the seal is intact and seated correctly.
- 8) Fit the flue collar to the rear exit ensuring the seal is intact and seated correctly.
- 9) Knock out pre cut panel in rear convector panel.

- 10) Refit fire cube, loosely secure fire cube to the cladding using the levelling bolts to line up fire cube with cladding. When in position tighten the four securing bolts.
- 11) Replace door and rear convector panel and place decorative blank on top of stove cladding.

To convert the 12 series to rear Exit:

Remove the stovetop. Remove the rear convector panel 4 x bolts. Remove the 4 flue collar retaining bolts, lift collar, twist through 90 degrees and replace ensuring the seal is maintained. Replace the 4 retaining bolts. Replace the rear convector panel. Replace the lid and cover the hole with a flue collar blank (supplied separately).

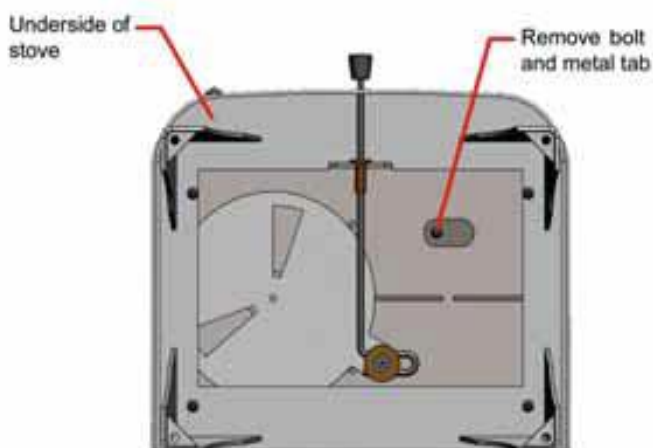


6. Smoke Control

The Chesney's 4,5,6,8 series stoves are DEFRA exempt appliances that can be used in Smoke Control Zones.

The "Smoke Tab" is fitted on the underside of the fire cube on the left hand side and must be removed with the retaining bolt and discarded.

The Milan and Shoreditch stoves have heat shields under the stove that will have to be removed by undoing the four hexagonal bolts to reveal the "Smoke Tab". **Always replace the heat shields.**



Stove

Operation in Smoke Control Zones

Make up fire as described page 28. Do not reduce the Air Flow Bar until the kindling and logs are fully blackened, this may take 2-5 minutes (moisture content and type of wood will dictate this) on lighting and on refuelling. You must always refuel on a hot bed of ash. **Do not over load the stove.**

The quality of your fuel is of utmost importance.

Only burn HETAS approved wood logs and smokeless fuels (coals).

The Clean Air Act 1993 and Smoke Control Areas

Under the Clean Air Act local authorities may declare the whole or part of the district of the authority to be a smoke control area. It is an offence to emit smoke from a chimney of a building, from a furnace or from any fixed boiler if located in a designated smoke control area. It is also an offence to acquire an "unauthorised fuel" for use within a smoke control area unless it is used in an "exempt" appliance ("exempted" from the controls which generally apply in the smoke control area).

The Secretary of State for Environment, Food and Rural Affairs has powers under the Act to authorise smokeless fuels or exempt appliances for use in smoke control areas in England. In Scotland and Wales this power rests with Ministers in the devolved administrations for those countries. Separate legislation, the Clean Air (Northern Ireland) Order 1981, applies in Northern Ireland. Therefore it is a requirement that fuels burnt or obtained for use in smoke control areas have been "authorised" in Regulations and that appliances used to burn solid fuel in those areas (other than "authorised" fuels) have been exempted by an Order made and signed by the Secretary of State or Minister in the devolved administrations.

The Smoke Control Tab **MUST BE REMOVED** for use in a smoke control area.

Chesney's range of Wood and Multi-Fuel stoves have been recommended as suitable for use in smoke control areas when burning HETAS approved wood logs and smokeless fuel only.

Further information on the requirements of the Clean Air Act can be found here: <http://smokecontrol.defra.gov.uk/>

Your local authority is responsible for implementing the Clean Air Act 1993 including designation and supervision of smoke control areas and you can contact them for details of Clean Air Act requirements

7. Apollo 4 and 8 Installation

The Apollo range of inset stoves have been designed to be installed in two stages. The outer casing needs to be installed before the fire cube, and the outer frame and door will need to be removed to install this appliance.

- 1) Remove all internal parts (baffles, side and rear bricks, solid fuel grate and ash pan (8 series only).
- 2) Remove the frame which is secured with four hexagonal bolts under the top edge circled below (figure 3).
- 3) To remove the door you must release the door retaining bar before lifting off the hinges.
- 4) The flue collar retaining bolts are now visible; remove these and the flue collar will drop down inside the fire cube.
- 5) Remove the fire cube retaining bolts (circled figure 2).

Figure 2

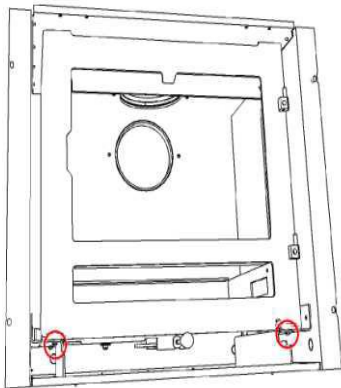
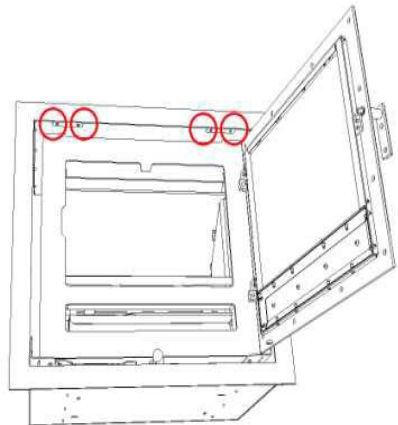


Figure 3



- 6) Remove the four transport bolts in the rear of the outer casing.

The fire cube can now be removed.

- 7) If in a Smoke Control Zone remove "Smoke Tab"
- 8) Instal the outer casing. There are eight available securing points for the outer casing four in the base and four in the rear a minimum of four points must be used.

The outer box must be sealed with a heat proof sealant and mechanically fixed to the front face of the chimney breast this will allow the chimney to be back filled.

Chimney Connection

- 1) Drop the liner through the outer casing and fix the flue adaptor, then fit the flue collar to the adaptor bending the adaptor lugs to secure the collar to the adaptor.
- 2) On the 8 series only there is an additional directional flue collar that bolts to the inside of the outer casing. This will need to be done at this stage.

Note: *If connecting to an existing chimney you will need to make an opening in the front face of the chimney breast above the outer casing to make a compliant appropriate connection to the outer casing flue collar and the existing flue.*

- 3) Slide the fire cube back into the outer casing and fix in place with two fixing bolts as previously illustrated.
- 4) Secure the flue collar inside the fire cube, ensuring a good seal is achieved.
- 5) Replace all internal parts starting with the second baffle.

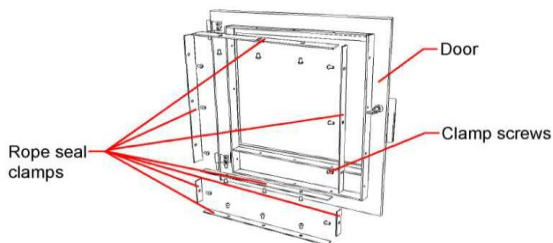
Hearth

The Apollo range must be installed on a full constructional hearth in accordance with Building Regulations, Document J section 2 dia 26 & 27,

All hearths for all appliances must be secured and level.

8. Door Seal Replacement and Door Handles

Always use gloves when handling ceramic rope.



Apollo and Milan

Remove door from the stove and remove rope seal clamps. Discard old rope seal and replace with Chesney's rope seal. Do not tighten rope seal clamps until all bolts are in and hand tight, then tighten all bolts.

Freestanding series stoves

Remove door and place face side down on a suitably protected table. Remove old seal and clean the rope seal channel thoroughly with wire a brush. Ensure the rope channel is clean and dust free.

Apply a continuous and even bead of glue in the channel. Place the new ceramic rope onto the glue, being careful not to stretch or twist. Press the rope firmly into the channel. Remove any excess glue.

Leave for 2-4 hours before refitting the door, allow 24 hours for the glue to dry.

Door handles

The door handles and mechanism are designed to be adjustable so they can be wound in or out to achieve a good seal between the door and the stove body and to get more use from the rope seal. This configuration means that the stove handle and mechanism are in two parts and are secured using a grub screw. Throughout use the grub screw will require tightening from time to time to ensure a firm connection. There is an allen key supplied with the stove for this purpose. For appliances with the 90 degree handle configuration see notes on page 21.

9. Commissioning

Check all internal parts are fitted correctly and there are no gaps between the firebricks and baffles and the log retainer is secure:

Wood Burning Only 4,5 and 12 Series

Secondary baffle.

Firebricks: base, back, sides and baffle.

Metal flue protector strip on top of the back brick(not fitted 12 series)

Log retainer (not fitted on Milan 4 model)

Multi-Fuel 6 and 8 Series

Secondary baffle

Ash pan

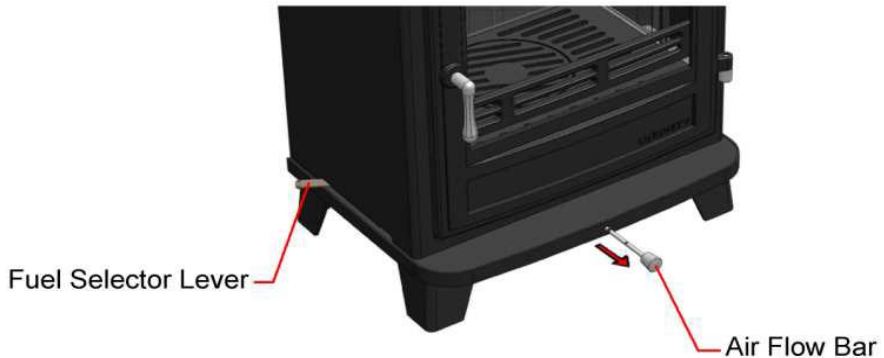
Cast iron grate complete with riddling section.

Log retainer.

Firebricks: rear and sides.

Check all the levers are operating fully and freely. The riddling bar on the right hand side of the stove should move the circular riddle grid. The riddle lever is located on the front of the stove underneath the grid on the Apollo.

Check the Fuel Selector Lever (left hand side of stove) and under the fire cube front left side on the Apollo 8 operating smoothly.



On completion of installation after allowing any fire cement & mortar to dry out, the stove should be checked so that all seals/joints are sound. The flue should also be checked by lighting a small fire and checking fumes are taken from the appliance up the chimney and emitted safely.

Door Seal Testing and Adjustment

Without a good sound airtight seal around the door the stove will not work as designed and will lead to the glass blackening and a loss of control.

Over time the rope seal compresses and the seal between the door and the fire cube is compromised resulting in the need to replace the rope.

Testing the door seal

With the stove cold take a piece of paper, open the door and place the paper between the door and the stove. Close the door. The paper should be trapped between the door and the fire cube. There should be some resistance when pulling the paper out. This should be done on all four sides of the door.

Adjusting the door

Where the paper is not trapped the door needs to be adjusted. If the adjustment needs to be made on the handle side of the stove, wind or unwind the handle one complete turn and retest. For appliances that have a restricted 90 degree handle, release the grub screw on the side of the door boss (figure 4) to allow the mechanism to turn fully. Replace after adjustment. If the handle does not line up with the door simply screw the grub screw in or out until it does.



Figure 4

For adjustments on the hinge side of the stove the door must be removed. Lift the top off the stove, twist and rest on the fire cube. Open the door (Shoreditch, Shipton, Salisbury and Beaumont models) and lift from the hinge pins.

Loosen the grub screws under the hinge pins, rotate hinge pin in clockwise direction to reduce the gap between the door and fire cube, anticlockwise to increase the gap. Replace door and check seal before tightening grub screws.

Apollo models

The frame and door retainer must be removed before the door can be removed see Apollo information pages. Then rotate the hinge pin clockwise or anticlockwise as described.

Alpine models

The door will have to be removed as described in the Converting Alpine to rear exit section. Rotate hinge pin clockwise or anticlockwise as described.

Milan models

There is limited adjustment on this model. Slacken the hinge retaining bolts that secure the hinge to the fire cube body. Now the door is free to move in and out on the hinge about 2-3mm. Retighten and test door seal.

If you cannot achieve an airtight seal with these adjustment the rope seal will need to be replaced.

Baffles

All Chesney's stoves have two baffles which add to the efficiency and ease of use of the stoves.

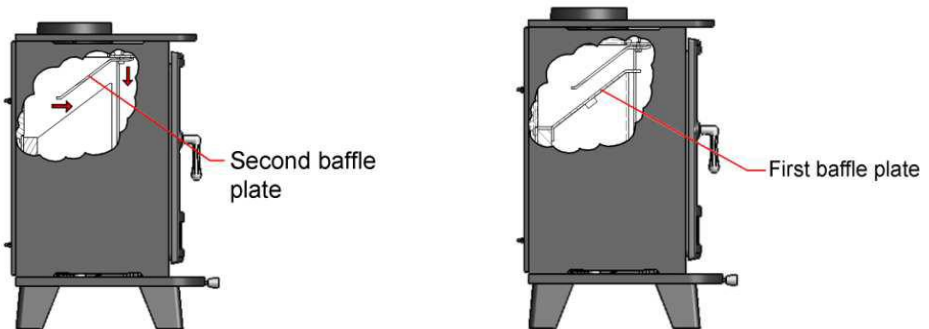
The first or primary baffle sits on top of the side and rear firebricks.

The second baffle is secured onto the roof of the fire cube at the front.

Both baffles will wear out over time and will need replacing. This will depend on the number and length of the fires and type of fuel used.

Refer to 12 series and Double 10 pages

Figure 5 and 6



Note:

The second baffle may be removed when using the rear flue connection.

10. The Curing Process

Your Chesney's stove has been designed to operate with minimum effort. As with all wood burning and multi fuel stoves your new stove will need to be 'cured' before commencing normal use.

For the first lighting of the stove after installation it is **VERY IMPORTANT** that the door remains slightly ajar during the first firing. During the first firing the paint finish goes through a curing process which will soften the paint with the heat. As the stove cools down the paint will harden. This process can take several firings, and will depend on the temperature achieved and for how long the fire has been left to burn.

Leaving the door slightly ajar during the first firing will prevent the rope from sticking to the softened paint during the curing process.

It is also very important the paint is not touched during this process. Due to the newness of materials, the fire will give off an unpleasant odour for a period of time after commissioning. This is quite normal as the paint cures and will disappear after several uses once the stove has been operating at its normal temperature for several hours.

Operate the appliance at a low output for the first few burns to allow the curing of the materials. Avoid contact with the painted surfaces of the appliance during the first periods of use. During this process use the complimentary gauntlets carefully to avoid brushing the soft paint off the door.

Keep the room well ventilated to avoid a build up of fumes.

Please note that the Ivory paint is more susceptible to marking and soot transference and as a result Chesney's cannot be held responsible for marks made on the stove by the gauntlets or by other means. All paint finishes are able to be touched up to a factory finish – please see notes on paint application.

11. Stove Paint Application Instructions

Chesney's stove paint is quality, fast drying high temperature paint for use on wood, multi-fuel and gas stoves and other steel and cast iron products with in-service temperatures to 650°C. This product is not recommended for Vitreous Enamelled surfaces. Stoves, as supplied by the manufacturer, can be successfully repainted but problems can occur if painting the stove for the third time. Here it is necessary to remove most of the first two coats in order that the final paint thickness is not too great. If in doubt please contact Chesney's in advance of using this product for more information.

DIRECTIONS

Allow stove to go out and the surfaces to cool. Scrape off any loose paint. Lightly sand any existing sound paint to provide key. Remove all dust, dirt, rust and grease. It is essential that the surface is extremely clean. Protect surrounding furnishings and carpet from spray mist. This aerosol is designed to work at room temperature (20-25°C) and should be stored inside for several hours prior to use. Before spraying, shake can vigorously for 3 minutes after mixing ball rattles. This is especially important when using light colours as these have more pigments to mix.

For best results the appliance also needs to have been stored in an environment to room temperature (20-25°C) for several hours prior to the painting process commencing. If painting steel flue sections then these will also need to be pre-heated. Ensure work area is well ventilated and you are not spraying near naked flames or any incandescent materials. Point spray nozzle towards object. Hold can between 300-375mm (12" - 15") from surface to be painted. Press spray firmly. Use steady even strokes. Several thin coats give a better finish than one heavy coat. Do not apply more paint than is necessary. If clogging develops, remove spray nozzle with a twisting motion and clean. Never stick pins or sharp objects into the can. Gently replace spray nozzle with a twisting motion pointing away from you. After use, invert can and spray for a few seconds until no paint, only clear solvent, escapes. This will clean the tube and spray nozzle and allow for easier future use. During the painting process, while drying and for the first 3 times you use your appliance, open windows, doors and if necessary use fans to provide a fresh airflow, as the paint will give off fumes and smoke during the curing process. Cure Process: Use kindling only on the first two fires which should burn for 15-20 minutes with the second burn being started whilst the appliance is still warm. A full fire should be burnt for 45 - 60 minutes, again starting while the appliance is still warm, then allowed to cool naturally. Your paint should have now cured and no longer give off fumes or smoke. These application instructions must be followed strictly for successful application of Chesney's stove paint and the company can not be held responsible for incorrect storage, preparation, application and usage.

12. First Lighting and Operation

This appliance is not to be used as an incinerator. Only HETAS approved wood logs and smokeless fuels are recommended by Chesneys for use in this appliance.

This appliance is design to operate with the door closed, except for lighting and reloading, failure to close the door during operation will result in fume spillage.

Warning Note:

Properly installed, operated and maintained this appliance will not emit fumes into the dwelling. Occasional fumes from de-ashing and re-fuelling may occur. However, persistent fume emission is potentially dangerous and must not be tolerated. If fume emission does persist, the following immediate actions should be taken:-

**Open doors and windows to ventilate room then leave the premises
Let the fire out or eject and safely dispose of fuel from the appliance.
Check for flue or chimney blockage, and clean if required.
Do not attempt to relight the fire until the cause of the fume emission has been identified and corrected. If necessary seek expert advice.**

Your installer should have fitted a CO alarm in the same room as the appliance. If the alarm sounds unexpectedly, follow the instructions given under “Warning Note” above.

Note

Before lighting please note the following points:

Chesneys stoves must only use HETAS approved wood fuels and smokeless coal.

Do not use any liquid fuels.

Do not over load your stove.

Never empty the ash when the fire is alight.

Do not burn solid fuel and wood at the same time. Wood burns from the top down, whereas solid fuel burns from the bottom up, therefore there is a conflict of air supply for complete combustion of your fuel.

The fuel selector must always be either wood or solid fuel. Do not set half way.

Always use the glove provided to operate the handle and controls. This appliance will get very hot and fireguards must be used where appropriate.

The Wood Range 4 and 5 Series.

These are designed for wood burning only although, there is a “drop in multi fuel-grate” available to convert to coal burning from your stockist.

There is one Air Control Lever - The Air Flow Bar that automatically distributes the air for combustion into the top or rear of the furnace.

Pull the bar out for more air giving more heat and a faster burn.
Push the bar in for less air giving less heat and a slower burn.



The Multi-Fuel Range 6 and 8 Series

These are designed for use with wood and solid fuel.

They have the following controls:

Fuel selector lever.

Riddling lever illustrated with the red arrow below
Air flow bar.



Air Flow Bar Settings



Wood Setting



Setting I



Setting II



Between Settings II and I



Setting III

Wood Setting

Setting III primary and secondary air open fully. Air bar is fully extended.

Setting II primary air shut secondary open fully. Air bar partially extended.

Between setting II and I primary air shut secondary partially open.

Setting I primary and secondary air closed. Air bar fully closed.

Coal setting

Setting III primary and secondary air open fully. Air bar is fully extended.

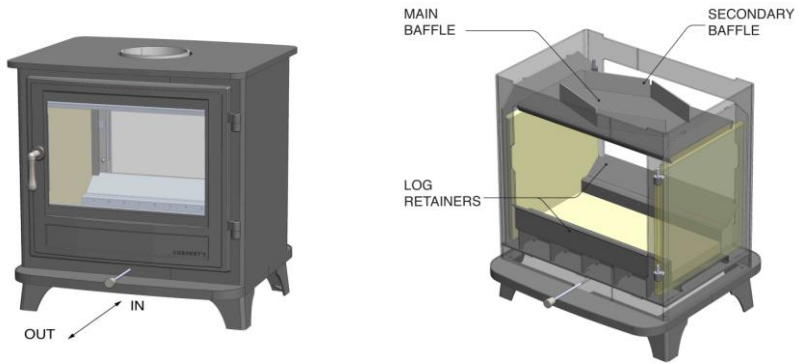
Setting II primary air open secondary air partially open. Air bar partially extended.

Setting II and I primary and secondary air partially open.

Setting I primary and secondary air very slightly open allowing a small amount of air into the system.

Double Sided 10 Series Wood Burning Stove

The Double Sided 10 has a single air control lever; this controls both primary and secondary air into the stove.



With the control rod fully out the maximum air is entering the stove at the top (pre heated air wash) and at the base of the firebox. When the control rod is pushed in the air is reduced proportionally between the air wash and base of the firebox to achieve the best "burn". When the control rod is fully in there is still a small amount of air entering the stove via the air wash.

The "front" of the stove is considered the side with the control rod, the rear has a double glazed door and will radiate less heat, these doors can be swapped round.

Baffle

The main baffle and secondary baffle are one piece and are removed as one piece. It is removed by folding in the side bricks, it can then be removed through the front or the rear of the stove.

Take care as there will be sooty deposits on the top of the baffle.

The baffle must be fully removed before sweeping through the stove.

The vermiculite floor, side, rear and baffle are consumable these will need to be replaced as required.

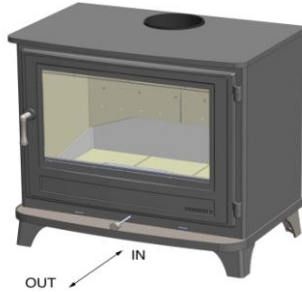
To remove these consumables:

1. Lift out the log retainers 2 in number.
2. Remove the floor brick.
3. Hold the weight of the baffle and fold in one side brick.
4. Fold in the other side brick.
5. Remove the baffle (there will be sooty deposits on top of the baffle).
6. The two side bricks can now be removed.

To replace simply reverse the above instructions

Wood Burning 12 Series

The 12 series has a single air control lever; this controls both primary and secondary air into the stove.



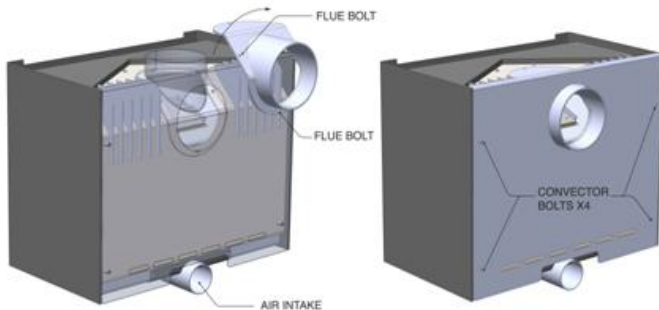
With the control rod fully out the maximum air is entering the stove at the top front (air wash) and through the rear bricks. When the control rod is pushed in the air is reduced proportionally between the air wash and the rear brick to give the best “burn”. When the control rod is fully in there is still air entering the stove via the air wash. Before lighting the stove ensure the baffle by-pass is free to operate.

The air inlet manifold must not be blocked.

When the air inlet is connected to the outside and the door is closed fresh air is delivered into the stove for combustion and not taken from the room. When the door is opened this air is drawn into the furnace via vents on the front face of the stove, with the baffle bypass automatically operating when the door is opened any spillage is reduced to a negligible amount.

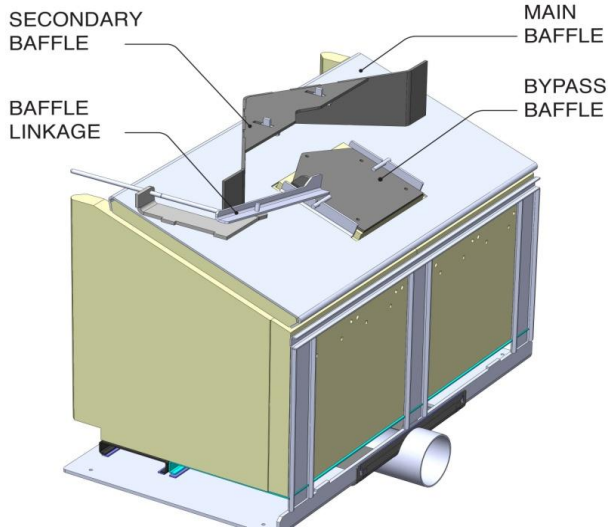
If using the air inlet manifold the ducting must be metal and fit over the air inlet.

If the air inlet manifold is not being used a 50 mm gap must be maintained at all times.



Baffle

The baffle is made up of 4 main parts.

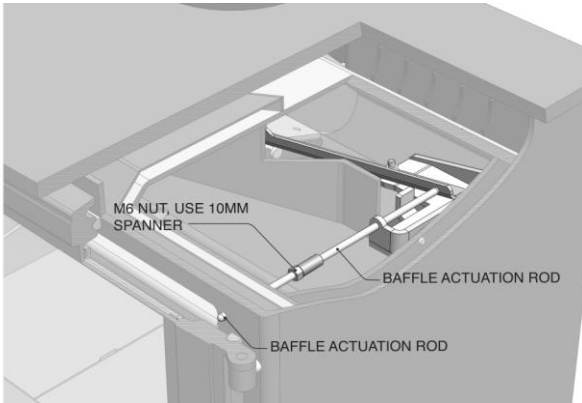


The secondary baffle is secured to the top underside of the stove using the slots provided, it's removed by sliding to the rear of the stove.

The main baffle rests on top of the side bricks. It is removed by "folding" in the side bricks, it can then be removed through the front of the stove.

The bypass baffle is held in place by two retaining brackets and is free to swing under its own weight. The baffle linkage closes this baffle when the door is closed.

If there is a build up of soot/tar on the top of this baffle it will stick, a gentle nudge on the front of this small baffle should free it. If you need to remove this baffle gently push it up 15-20mm twist to the right and remove through the hole in the main baffle, replacing is the operation reversed. The baffle by-pass is subject to extreme temperature changes and might not always sit flush with the main baffle when the stove is cold



The Baffle By-pass can be adjusted by undoing the M6 nut and rotating the baffle actuation rod in or out, then retighten the M6 nut. Close the door and check the position of the Baffle By-pass, it should fit flush to the main baffle when the stove is cold. The Baffle by-pass will not fit flush with the main baffle when the stove is under fire.

The baffle must be removed completely before sweeping through the stove, do not sweep the flue though the baffle by-pass.

The vermiculite floor, side, rear and baffle are consumable these will need to be replaced as required.

To remove these consumables:

1. Lift out the log retainer.
2. Remove the floor bricks (3 in number).
3. Remove the steel u shaped brick support.
4. Remove the by-pass baffle (refer to page 4).
5. Fold in one side brick taking the weight of the main baffle.
6. Fold in the other side brick and remove the main baffle.
7. The two side bricks can now be removed.

To replace simply reverse the above instructions.

Lighting

Open the door place a firelighter at the back of the furnace put 6-8 pieces of kindling on top of the firelighter. Place 2 split logs on top of the kindling, set the Air Flow Bar to setting III fully extended. Light the firelighter. If condensation appears on the glass when the door is closed leave ajar and it should clear in a minute or two. Do not leave stove unattended when door is open.

The side and back bricks will go black, when they go clear about 12-20 minutes the fire can be turned down using the Air Flow Bar to the desired setting (normally between setting I and II). The quality of your fuel and chimney draft will dictate your setting.

Refuelling on to a low fire bed

If there is insufficient burning material in the fire bed to ignite fresh fuel, excessive smoke emission can occur. Refuelling must be carried out on a sufficient quantity of glowing embers and ash so that the fresh fuel charge will ignite in a reasonable period. If there are too few embers in the fire bed, add suitable kindling to prevent excessive smoke

Fuel overloading

The maximum amount of fuel specified in this manual should not be exceeded, overloading can cause excess smoke.

Operation with door left open

Operation with the door open can cause excess smoke. The appliance must not be operated with the appliance door left open except as directed in the instructions.

Refuelling

Always refuel on a hot bed of ash.

Pull Air Flow Bar fully out to setting III. Slowly open the door with the glove provided equalising the pressure inside the fire cube with the room (if you open the door quickly ash will be lifted from the furnace into the room). Place 2-3 logs bark side down onto a bed of hot ashes and close the door. When the logs have fully turned black set Air Flow Bar to desired setting.

Solid Fuel

The grate should be cleaned out before every lighting using the riddle lever. Set fuel selector to solid fuel (forward position).

Open door, place 2 firelighters at the back of the fire cube and place approximately 1 – 1.5kg of solid fuel onto the firelighter and set the Air Flow Bar to setting III fully extended. Light firelighter and close door, if condensation appears on the glass when the door is closed leave ajar. Do not leave stove unattended when the door is open.

The majority of air for combustion in the coal setting comes from under the grate below the fuel. This action reduces the ability of the air wash system and some blackening of the glass may occur.

When the solid fuel has an even glow over the fuel bed set Air Flow Bar to desired setting.

Over-Firing

In the event of over firing the stove (flue collar, top of stove or log retainer glowing red/orange) push the air control in fully (with gloves provided) this will shut the appliance down. Over-firing will damage the stove and is not covered under the warranty. Over-firing can be caused by: over filling the appliance with fuel, burning on maximum setting for prolonged periods, or with the use of non recommended fuels.

In the event of a chimney fire push the air control in fully to prevent air getting to the fire and call the fire and rescue services. Do NOT use the appliance or chimney until inspected by a registered installer/chimney sweep.

If a fire is "uncontrollable" when the air control lever is in check and the door is closed properly, allow the stove to cool and perform a paper test as outlined on page 21.

This appliance is designed to radiate heat. Do not stand too close to the appliance for prolonged periods of time, loose clothing, man made fibres and soft furnishings are at particular risk of burning.

When using the appliance in situations where children, aged or infirm persons are present a fireguard must be used to prevent contact and be manufactured in accordance with BS 8423 fireguards for use with solid fuel appliances.

Chimney Fire Action

If the chimney is thoroughly and regularly swept, chimney fires should not occur. However, if a chimney fire does occur push the air control lever fully in turning "off" the stove tightly close the doors of the stove. This should cause the chimney fire to go out. If the chimney fire does not go out when the above action is taken then the fire brigade should be called immediately. Do not relight the stove until the chimney and flue-ways have been cleaned and examined by a professional.

13. Maintenance

Guarantee

Your Chesneys stove comes with a 5 year guarantee on the stove body and a 12 month warranty on the non consumable parts such as the door, handle, hinges and air plates.

Consumable items such as fire bricks, baffles, glass, rope seal, ash pans and grids are consumable items and are not covered by a warranty. These items will deteriorate over time and will need replacing. The length of time that these parts last will depend on the type of fuel used, and how hot and long the stove is left to run. The firebricks, rope seal and primary baffles are subjected to a huge amount of stress while the stove is under fire and will appear stressed quite quickly and the bricks can sometimes crack. This does not mean their integrity is compromised and they will have plenty of life left in them.

There must not be at any time an extractor fan fitted in the same room as the appliance as this will cause fumes to emit into the room. (seek guidance from a competent person if this is unavoidable)

The chimney must be swept at least once a year for smokeless fuels/wood and a minimum of twice a year for bituminous coal.

Ensure adequate access to cleaning doors is maintained where it is not possible to sweep the chimney through the appliance.

If the chimney is believed to have served an open fire installation previously, it is possible that the higher flue gas temperature from a closed appliance may loosen deposits that were previously firmly adhered, with the consequent risk of flue blockage.

It is therefore recommended that the chimney be swept a second time within a month of regular use after installation.

If the stove is to be left unused for a prolonged period of time then it should be given a thorough clean to remove ash and unburned fuel residues. To enable a good flow of air through the appliance to reduce condensation and subsequent damage, leave the air controls fully open.

It is important that the flue connection, any appliance baffles or throat plates and the chimney are swept prior to lighting up after a prolonged shutdown period

To maintain the effectiveness and efficiency of your stove it should be serviced or inspected annually by a competent person. This should entail checking these consumable parts.

Door seal: still effective

Glass seal: still effective

Glass not cracked.

Fire Bricks: sound. Replace any that have cracks greater than 3mm

Baffles: not warped or distorted

Grates: not warped and functioning.

Log retainer not damaged or warped.

All controls free and smooth to operate.

The installation and flue connection should be checked and the chimney swept annually.

Only genuine Chesneys replacement parts should be used and are available from your local stockist.

To find your local stockist log on to: www.chesneys.co.uk/stockists.asp or phone 0844 880 8375.

Cleaning

The body of the stove should be vacuumed with a brush attachment; any marks should be wiped with a very lightly damp cloth.

The glass can be cleaned with damp newspaper dipped in the wood ash, or use a proprietary glass cleaner, no abrasives should be used.

Always ensure the ash is cold before de ashing. Do not let the ash build up to the underside of the grate as this will lead to damage. On the 4 and 5 series stoves lift out the log retainer and scoop out the ash from the base of the fire cube. On the 6 and 8 series stoves carefully remove the ash pan from under the grate using the ash pan tool provided and dispose ash in a suitable receptacle. Replace the ash pan close the door and use the riddling mechanism to drop the rest of the ash into the ash pan, open door and remove the ash pan as before.

Useful Information

- Always use the glove provided when operating or refuelling.
- The better the quality of fuel you use the better the efficiency, controllability and clean burn you will experience.
- Aim to get the stove and chimney up to normal operating temperature as quickly as possible.
- Do not turn down the stove down too early.
- Fully blacken the logs before turning down.
- Always reload on a hot bed of ash.
- Let the ash build up when burning wood 25-35mm deep is ideal.
- Always clean out the grate when burning solid fuel (coal).
- The heat output will differ with different types of fuel.
- Cracks and splits do occur in the firebricks if they are less than 3mm in size, they should pose no problems.
- Atmospheric conditions do have an effect on your chimney and subsequently the stove. Some of these conditions will cause your stove to “blow back” into the room, or even prove difficult to light. If these symptoms persist please contact your installer, who will be able to advise if your flue arrangement needs to be reviewed or a new specialised cowl installed.
- Over tightening the door can damage the rope seal and the handle mechanism.

Dealer & Installers Details

Dealers Name and Contact Details	Date of Purchase
Installers Name and Contact Details	Date of Installation
HETAS Reg number	

Notes:

Appropriate spillage test completed	yes	no
-------------------------------------	-----	----

Flue draft test completed	yes	no
---------------------------	-----	----

Pascal rating

Flue interference test completed and action taken:
--

Appliance Serial Number	
-------------------------	--

Instruction manual and tools explained to the customer and instruction on the stoves operation and limits.	YES	NO
---	------------	-----------

Warranty Registration

To validate and start your warranty please fill out this form and send it back to Chesneys, Units 1-4 Zennor Road Business Park, London SW12 0PS. Alternatively log on to www.chesneys.co.uk/warranty/registration.asp and complete the online form.

All items are required

Your Details	
Name	
Address	
Postcode	
Email address	
Purchase Details	
Purchased From	
Purchase Date	
Product Details	
Appliance Name	
Appliance Colour	
Serial Number	